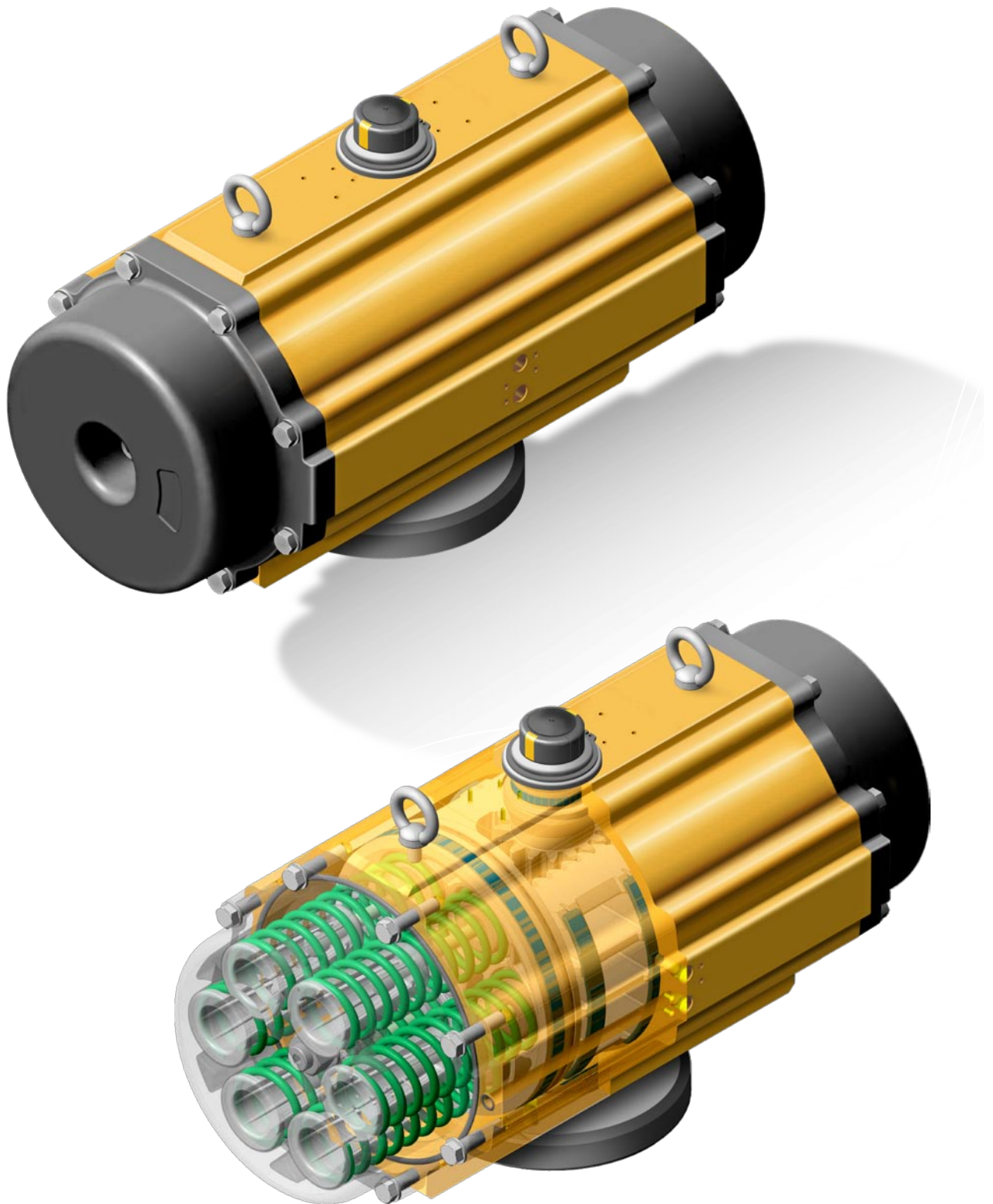


NEW MODEL: AP12



V A P O

Vapo Techniek BV
Esp 258
5633 AC Eindhoven
The Netherlands
Tel: +31 (0)40 2481000
Fax: +31 (0)40 2481040
Email: vapo@vapo.nl

Technical features:

Series:	AP / APM - DA Double Acting / SA Single Acting
Stroke:	90° with single travel adjustment $\pm 3^\circ$ (AP series) 90° with double travel adjustment $\pm 5^\circ$ (APM series)
Pressure range:	2 bar ÷ 8 bar for Double Acting 3 bar ÷ 8 bar for Single Acting
Operating temperature:	-20 °C ÷ +80 °C (-4 °F ÷ +175 °F) standard
Bore:	Ø330mm
Air volume opening (lt)	22
Air volume closing (lt)	49
Opening time (sec.)	6 for DA / 7,5 for SA
Closing time (sec.)	7 for DA / 8,5 for SA
Approximate weight (kg)	150 for DA / 192 for SA
Design reference:	UNI EN 15714-3, ISO 5211, VDI / VDE 3845
Flange interface:	ISO 5211, F16 and F25
Stem connection:	ISO 5211, square or polygonal shape, 55mm
Interface for pilot valve:	NAMUR type, G1/2 or 1/2 NPT
Accessories flange:	UNI EN 15714-3 AA4 and AA5 type
Standard materials:	Body: Aluminum alloy extrude bar Cap and piston: Die casting aluminum alloy Stem: Carbon Steel nickel plated
Certifications:	94/9/CE ATEX, SIL - IEC 61508 IEC 61511 GOST-R, CU TR 10 – CU TR 32

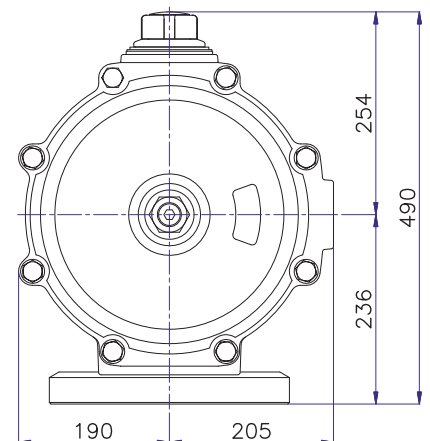
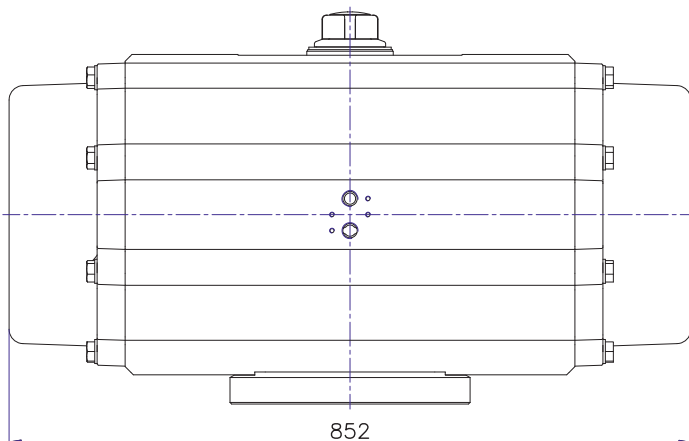
Double Acting Torque (Nm):

PRESSIONE DI ALIMENTAZIONE - Operating Pressure (bar)						
2	3	4	5	6	7	8
1880	2820	3760	4701	5641	6581	7522

Single Acting Torque (Nm):

N° OF SPRING FOR EACH SIDE OF PISTON	PRESSIONE DI ALIMENTAZIONE - Operating Pressure (bar)												SPRING STROKE	
	3		4		5		6		7		8		90°	0°
	0°	90°	0°	90°	0°	90°	0°	90°	0°	90°	0°	90°	90°	0°
2	2082	1723	3022	2663	3963	3604	4903	4544	5843	5484	6783	6424	1097	738
3	1715	1174	2655	2114	3596	3055	4536	3995	5476	4935	6416	5875	1646	1105
4	//	//	2286	1565	3227	2506	4167	3446	5107	4386	6047	5326	2195	1474
5	//	//	//	//	2859	1958	3799	2898	4739	3838	5679	4778	2743	1842
6	//	//	//	//	//	//	3430	2349	4370	3289	5310	4229	3292	2211

Overall dimensions:



VAPPO

Vapo Techniek BV
Esp 258
5633 AC Eindhoven
The Netherlands
Tel: +31 (0)40 2481000
Fax: +31 (0)40 2481040
Email: vapo@vapo.nl